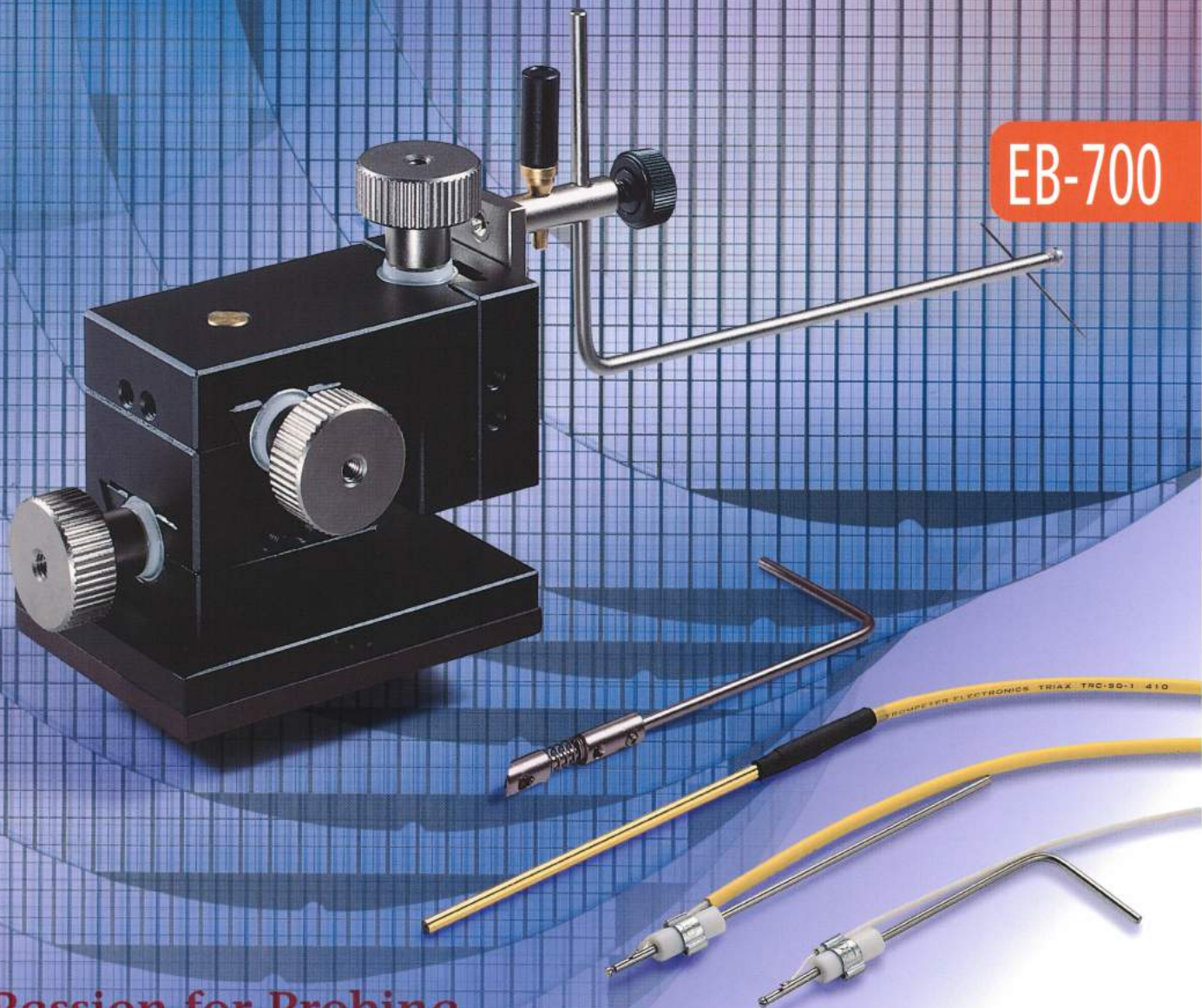


Model: EB-700

I/O Pad
Electro-Optics
Micropositioner



EB-700

A Passion for Probing

EVERBEING

GIAKOVA
YOUR TECHNICAL TEAM

Model:EB-700 I/O Pad Electro-Optics Micropositioner

Features

- Budget Affordable
- Linear Motion
- I/O Pad Probing
- Electro-Optics Probing
- Space Saving
- Choice Of Triaxial/Coaxial Tip Holder

Specification

- X-Y-Z 12mmx12mmx12mm
Linear Motion
- Lead Screw 40TPI Thread/Inch
- Resolution 1.7Micron

Dimensions

- 38mmWx62mmDx45mmH
- Weight 200 Grams

Accessories

- Triaxial Tip Holder
- Coaxial Tip Holder
- Magnet,Vacuum Based
- Soft Probing Tilting Mechanism
- Active Probes
- Ultrasonic Cutter
- Low Current/Capacitance Probes
- High Voltage Probes



No.1, Jinshan 2nd St., Hsinchu City 30080, Taiwan, R.O.C.
Tel:886-3-666-2000 Fax:886-3-666-2200
Mobile:886-9111-3-9111
probestation@yahoo.com
Skype:probestation

