

## P/N: 72501-0105

### Copyright

© 2018, FLIR Systems, Inc.

All rights reserved worldwide. Names and marks appearing herein are either registered trademarks or trademarks of FLIR Systems and/or its subsidiaries. All other trademarks, trade names or company names referenced herein are used for identification only and are the property of their respective owners.

### Document identity

Publ. No.: 72501-0105

Commit: 46137

Language: en-US

Modified: 2017-10-31

Formatted: 2018-10-04

### Website

<http://www.flir.com>

### Customer support

<http://support.flir.com>

### Disclaimer

Specifications subject to change without further notice. Camera models and accessories subject to regional market considerations. License procedures may apply. Products described herein may be subject to US Export Regulations. Please refer to [exportquestions@flir.com](mailto:exportquestions@flir.com) with any questions.



General description	
The FLIR T1020 is designed for the expert requiring the highest performance and the latest technology available. The camera combines excellent ergonomics and feature-rich flexibility with superior image quality at an infrared resolution of 1024 × 768 pixels.	
Benefits:	
<ul style="list-style-type: none"> <li>• Flexible and feature rich: A wide variety of measuring and analysis functions make the FLIR T1020 flexible for your every need. Two programmable buttons provide easy access to favorite functions.</li> <li>• Highest performance with the latest technology: The FLIR T1020 is equipped with the innovative Multi Spectral Dynamic Imaging (MSX) feature, which produces an image richer in detail than ever before. With its continuous autofocus, the FLIR T1020 is a fully automatic infrared camera.</li> <li>• Support for UltraMax: When enabling UltraMax in the camera, the resolution of images can be substantially enhanced when importing the images into FLIR Tools.</li> </ul>	
Imaging and optical data	
IR resolution	1024 × 768 pixels
MSX resolution	1024 × 768 pixels
UltraMax	Yes
Thermal sensitivity/NETD	<20 mK @ +30°C (+86°F)
Field of view (FOV)	28° × 21°
Minimum IR focus distance	0.4 m (1.32 ft.)
Minimum IR-visual alignment distance	0.4 m (1.32 ft.)
Focal length	36 mm (1.42 in.)
Spatial resolution (IFOV)	0.47 mrad
Lens identification	Automatic
F-number	1.15
Image frequency	30 Hz
Focus	One shot or manual
Digital zoom	1–8× continuous
Digital image enhancement	Adaptive digital noise reduction
Detector data	
Detector type	Focal plane array (FPA), uncooled microbolometer
Spectral range	7.5–14 μm
Detector pitch	17 μm

P/N: 72501-0105

© 2018, FLIR Systems, Inc.

#72501-0105; r. 46137; en-US

Image presentation	
Display	Built-in touch screen, 4.3 in. wide screen LCD, 800 × 480 pixels
Display type	Capacitive touch screen
Auto orientation	Automatic landscape or portrait
Viewfinder	Built-in 800 × 480 pixels
Automatic image adjustment	Continuous, histogram based
Automatic image adjustment, type	Standard or histogram based on the image content
Manual image adjustment	Linear based, possible to adjust level/span/max./min.

Image presentation modes	
Image modes	Thermal, thermal MSX, picture in picture, digital camera
Infrared image	Full color infrared image
Visual image	Full color visual image
Multi Spectral Dynamic Imaging (MSX)	Thermal image with enhanced detail presentation
Picture in Picture	Resizable and movable infrared area on the visual image
Gallery	<ul style="list-style-type: none"> <li>Review thumbnail/full image on the camera</li> <li>Edit measurements/palettes/image modes on the camera</li> </ul>

Measurement		
Object temperature range		Accuracy
-40 to +150°C (-40 to +302°F)	-40 to +5°C (-40 to +41°F)	±2°C (±3.6°F)
	+5 to +100°C (+41 to +212°F)	±1°C (±1.8°F)
	+100 to +150°C (+212 to +302°F)	±1%
0 to +650°C (+32 to +1202°F)	0 to +100°C (+32 to +212°F)	±2°C (±3.6°F)
	+100 to +650°C (+212 to +1202°F)	±2%
+300 to +2000°C (+572 to +3632°F)	+300 to +2000°C (+572 to +3632°F)	±2%

 **NOTE**

For HSI use, above 30 Hz frame rate, the typical accuracy will be ±2.5°C (±4.5°F), or 2.5% of reading @ 25°C (77°F).

Measurement analysis	
Spotmeter	10
Area	5 + 5 areas (boxes and circles) with max./min./average
Profile	1 line profile with max./min. temperature
Automatic hot/cold detection	Auto hot or cold spotmeter markers within the area and profile
Measurement presets	No measurements, Center spot, Hot spot, Cold spot, User preset 1, User preset 2

P/N: 72501-0105

© 2018, FLIR Systems, Inc.

#72501-0105; r. 46137; en-US

<b>Measurement analysis</b>	
User presets	The user can select and combine measurements from any number of spots/boxes/circles/profiles/delta
Difference temperature	Delta temperature between the measurement functions and the reference temperature
Reference temperature	Manually set using the difference temperature
Atmospheric transmission correction	Automatic, based on the inputs for distance, atmospheric temperature, and relative humidity
Optics transmission correction	Automatic, based on signals from internal sensors
Emissivity correction	Variable from 0.01 to 1.0 or selected from the materials list
Reflected apparent temperature correction	Automatic, based on the input of the reflected temperature
External optics/windows correction	Automatic, based on the inputs of the window transmission and temperature
Measurement corrections	Emissivity, reflected temperature, relative humidity, atmospheric temperature, object distance, external infrared window compensation
Colors (palettes)	Iron, Rainbow, Rainbow HC, White hot, Black hot, Arctic, Lava
<b>Alarm</b>	
Color alarm (isotherm)	<ul style="list-style-type: none"> <li>• Above</li> <li>• Below</li> <li>• Interval</li> <li>• Condensation (moisture/humidity/dewpoint)</li> <li>• Insulation</li> </ul>
Measurement function alarm	Audible/visual alarms (above/below) on any selected measurement function
<b>Set-up</b>	
Set-up commands	Define user presets, Save options, Programmable button, Reset options, Set up camera, Wi-Fi, GPS & compass, Bluetooth, Language, Time & units, Camera information
Languages	Arabic, Czech, Danish, Dutch, English, Finnish, French, German, Greek, Hungarian, Italian, Japanese, Korean, Norwegian, Polish, Portuguese, Russian, simplified Chinese, Swedish, traditional Chinese, Turkish
<b>Service functions</b>	
Camera software update	Use PC software FLIR Tools
<b>Storage of images</b>	
Image storage	Standard JPEG, including digital image and measurement data, on a memory card
Storage media	Removable media SD or SDHC card. Class 10 or better recommended
Image storage mode	<ul style="list-style-type: none"> <li>• Simultaneous storage of thermal and digital images in the same JPEG file</li> <li>• Option to store a digital photo as a separate JPEG file</li> </ul>
Time lapse	15 seconds to 24 hours

P/N: 72501-0105

© 2018, FLIR Systems, Inc.

#72501-0105; r. 46137; en-US

<b>Storage of images</b>	
File formats	<ul style="list-style-type: none"> <li>Standard JPEG, measurement data included</li> <li>CSQ, measurement data included</li> </ul>
File formats, visual	Standard JPEG, automatically associated with the corresponding thermal image
<b>Image annotations</b>	
Voice	60 seconds (via Bluetooth) stored with the image
Text	Add table, select between predefined templates
Image description	Add short note (stored in the JPEG exif tag)
Sketch	<ul style="list-style-type: none"> <li>Draw on the thermal/digital image or add predefined stamps</li> <li>Separate PC software with extensive report generation</li> </ul>
METERLiNK	Wireless connection (Bluetooth) to: FLIR meters with METERLiNK
<b>Geographic Information System</b>	
GPS	Location data automatically added to every image from the built-in GPS
Compass	Camera direction automatically added to every image
<b>Video recording in camera</b>	
Radiometric IR-video recording	Real-time radiometric recording (RTRR) to the memory card
Non-radiometric IR-video recording	H.264 to the memory card
Visual video recording	H.264 to the memory card
<b>Video streaming</b>	
Radiometric IR-video streaming	Real-time radiometric streaming (RTRS) via USB
Non-radiometric IR-video streaming	<ul style="list-style-type: none"> <li>H.264 video using Wi-Fi</li> <li>H.264 video using USB</li> </ul>
Visual video streaming	<ul style="list-style-type: none"> <li>H.264 video using Wi-Fi</li> <li>H.264 video using USB</li> </ul>
<b>Digital camera</b>	
Built-in digital camera	5 Mpixel with LED light
Digital camera	Field of view adapts to the infrared lens
Video lamp	Built-in LED light
<b>Laser pointer</b>	
Laser	Activated by a dedicated button
Laser alignment	Position is automatically displayed on the infrared image
Laser classification	Class 2
Laser type	Semiconductor AlGaInP diode laser, 1 mW, 635 nm (red)
<b>Data communication interfaces</b>	
Interfaces	USB Micro-B, Bluetooth, Wi-Fi, HDMI
METERLiNK/Bluetooth	Communication with headset and external sensors

P/N: 72501-0105

© 2018, FLIR Systems, Inc.

#72501-0105; r. 46137; en-US

<b>Data communication interfaces</b>	
Wi-Fi	Infrastructure (network) or AP
SD Card	One card slot for removable SD memory cards
Audio	Microphone headset via Bluetooth for the voice annotation of images
<b>USB</b>	
USB	USB Micro-B: data transfer to and from a PC, uncompressed colorized video
USB, standard	<ul style="list-style-type: none"> <li>• USB 2.0 High Speed</li> <li>• USB Micro-B connector</li> </ul>
<b>Video</b>	
Video out	<ul style="list-style-type: none"> <li>• HDMI 640 × 480</li> <li>• HDMI 1280 × 720</li> <li>• DVI 640 × 480</li> <li>• DVI 800 × 600</li> </ul>
Video, connector type	HDMI type C
<b>Radio</b>	
Wi-Fi	<ul style="list-style-type: none"> <li>• Standard: 802.11 b/g/n</li> <li>• Frequency range: 2412–2462 MHz</li> <li>• Max. output power: 15 dBm</li> </ul>
METERLINK/Bluetooth	Frequency range: 2402–2480 MHz, supports 2.1 and 4.0
Antenna	Internal
<b>Power system</b>	
Battery type	Rechargeable Li ion battery
Battery operating time	>2.5 hours at 25°C (+68°F) and typical use
Charging system	In camera (AC adapter or 12 V from a vehicle) or two-bay charger
Charging time	2.5 hours to 90% capacity, charging status indicated by LEDs
Charging temperature	0°C to +45°C (+32°F to +113°F), except for the Korean market: +10°C to +45°C (+50°F to +113°F)
External power operation	AC adapter 90–260 V AC, 50/60 Hz or 12 V from a vehicle (cable with a standard plug, optional)
Power management	Automatic power-off functionality, user configurable between 5 minutes, 20 minutes, and no automatic shutdown
<b>Environmental data</b>	
Operating temperature range	–15°C to +50°C (+5°F to +122°F)
Storage temperature range	–40 to +70°C (–40 to +158°F)
Humidity (operating and storage)	IEC 60068-2-30 / 24 hours, 95% relative humidity, 25–40°C (77–104°F) / 2 cycles
EMC	<ul style="list-style-type: none"> <li>• ETSI EN 301 489-1 (radio)</li> <li>• ETSI EN 301 489-17</li> <li>• EN 61000-6-2 (Immunity)</li> <li>• EN 61000-6-3 (Emission)</li> <li>• FCC 47 CFR Part 15 Class B (Emission)</li> <li>• ICES-003</li> </ul>

P/N: 72501-0105

© 2018, FLIR Systems, Inc.

#72501-0105; r. 46137; en-US

Environmental data	
Radio spectrum	<ul style="list-style-type: none"> <li>ETSI EN 300 328</li> <li>FCC Part 15.247</li> <li>RSS-247 Issue 2</li> </ul>
Encapsulation	IP 54 (IEC 60529)
Shock	25 g (IEC 60068-2-29)
Vibration	2 g (IEC 60068-2-6)
Safety	EN/UL/CSA/PSE 60950-1
Ergonomics	The viewfinder plus the 120° rotating optical block allow you to point the camera in multiple directions while maintaining a comfortable position
Physical data	
Weight	1.9 kg (4.3 lb.)
Camera size, excl. lens (L × W × H)	167.2 mm × 204.5 mm × 188.3 mm (6.6 in. × 8.0 in. × 7.4 in.)
Tripod mounting	UNC ¼"-20
Housing material	Magnesium
Warranty information	
Warranty	<ul style="list-style-type: none"> <li>2 years parts and labor coverage on the camera</li> <li>5 years coverage on the battery</li> <li>10 years coverage on the detector – the most vital part of the whole camera</li> </ul>
Shipping information	
Packaging, size	Cardboard box
List of contents	<ul style="list-style-type: none"> <li>Infrared camera with lens</li> <li>Battery (2 ea.)</li> <li>Battery charger</li> <li>Bluetooth headset</li> <li>Calibration certificate</li> <li>FLIR Tools+ license card</li> <li>Hard transport case</li> <li>HDMI-HDMI cable</li> <li>IR lens, 45°</li> <li>Lens cap</li> <li>Memory card</li> <li>Neck strap</li> <li>Power supply, including multi-plugs</li> <li>Printed documentation</li> <li>USB cable, Std A to Micro-B</li> </ul>
Packaging, weight	6.9 kg (15.2 lb.)
Packaging, size	494 × 355 × 188 mm (19.4 × 14.0 × 7.4 in.)
EAN-13	7332558011294
UPC-12	845188012175
Country of origin	Sweden

### Supplies & accessories:

- T199065; Close-up lens 3x (51 micron) with case
- T199745; IR lens f=142mm (7°) with lens support and case
- T199066; IR lens f=21.2mm (45°) with case
- T199064; IR lens f=36mm (28°) with case
- T199077; IR lens f=83.4mm (12°) with case

---

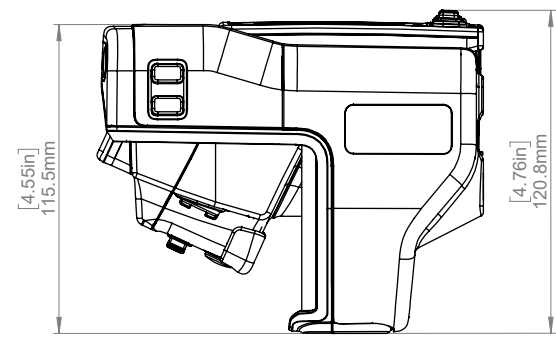
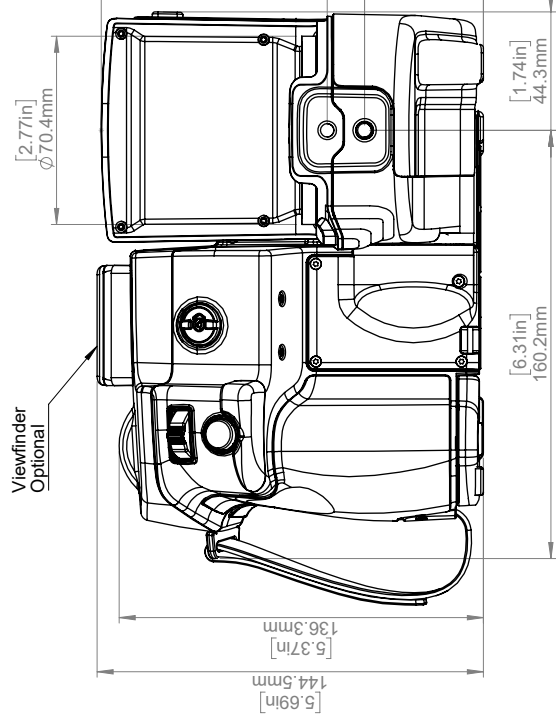
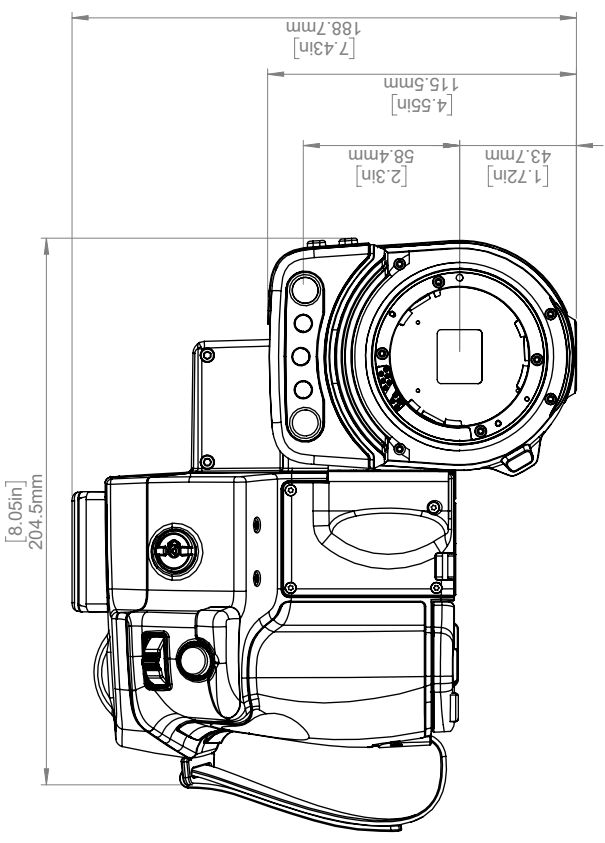
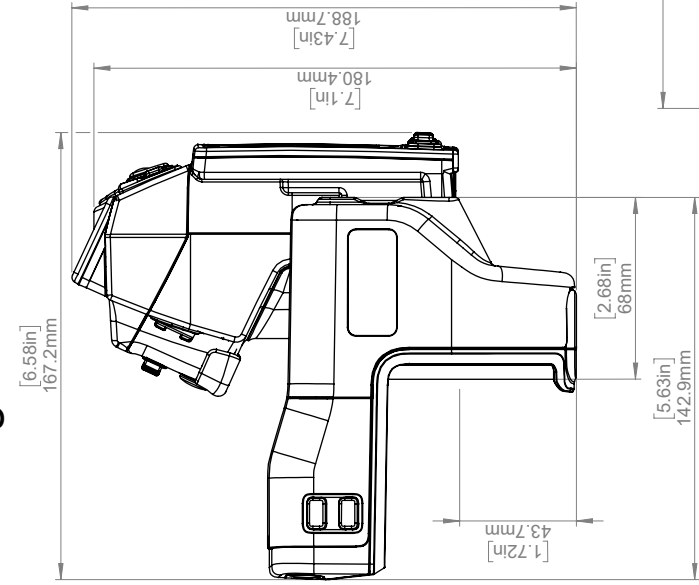
**P/N: 72501-0105**

© 2018, FLIR Systems, Inc.

#72501-0105; r. 46137; en-US

- T910814; Power supply, incl. multi plugs
- T198126; Battery charger, incl. power supply with multi plugs T6xx
- T199364ACC; Battery Li-ion 3.65 V, 8.5 Ah, 32 Wh
- T911650ACC; Memory card SD Card 8 GB
- T198509; Cigarette lighter adapter kit, 12 VDC, 1.2 m/3.9 ft.
- T910930ACC; HDMI type C to DVI cable 1.5 m
- T910891ACC; HDMI type C to HDMI type A cable 1.5 m
- T198497; Large eyecup
- T197771ACC; Bluetooth Headset
- T911093; Tool belt
- T198533; USB cable Std A <-> Micro B
- T300030; Option, No radio
- T198586; FLIR Reporter Professional (license only)
- T198584; FLIR Tools
- T198583; FLIR Tools+ (download card incl. license key)
- APP-10002; FLIR Tools Mobile (Android Application)
- APP-10003; FLIR Tools Mobile (iPad/iPhone Application)
- T199233; FLIR Atlas SDK for .NET
- T199234; FLIR Atlas SDK for MATLAB
- INST-EW-0170; Extended Warranty 1 Year for T10xx
- INST-GM-0160; General Maintenance Package for T10xx, P6xx, X90, SC1000
- INST-EWGM-0180; Premium Service Package for A310pt, T10xx

# Camera housing

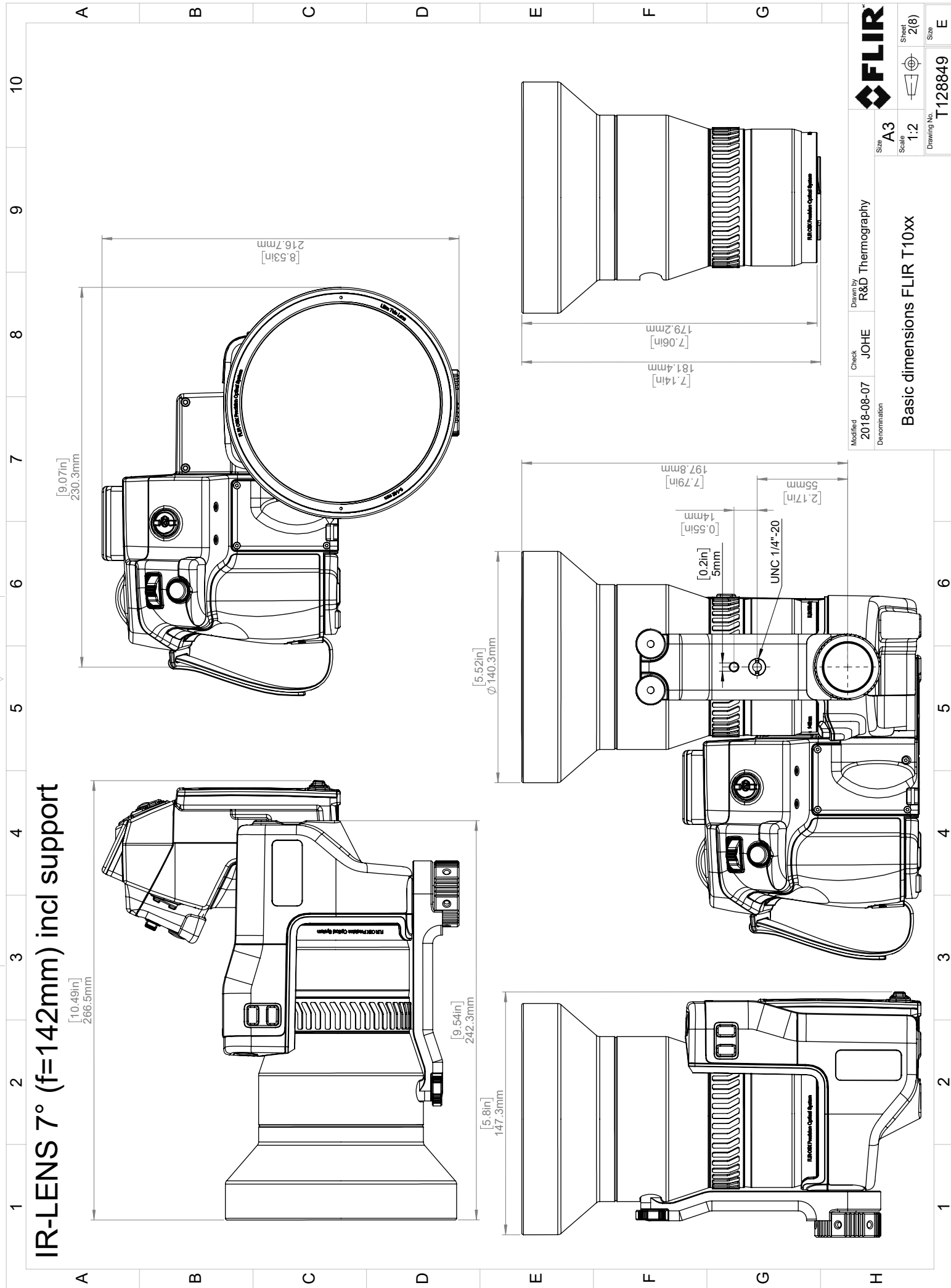


© 2012, FLIR Systems, Inc. All rights reserved worldwide. No part of this drawing may be reproduced, stored in a retrieval system, or transmitted in any form, or by any means, electronic, mechanical, photocopying, recording, or otherwise, without written permission from FLIR Systems, Inc. Specifications subject to change without further notice. Dimensional data is based on nominal values. Products may be subject to regional market considerations. License procedures may apply. Product may be subject to US Export Regulations. Please refer to exportquestions@flir.com with any questions. Diversion contrary to US law is prohibited.

Modified 2018-08-07	Check JOHE	Drawn by R&D Thermography	FLIR
Denomination Basic dimensions FLIR T10xx		Size A3	Sheet 1(8)
		Scale 1:2	Size E
		Drawing No. T128849	



# IR-LENS 7° (f=142mm) incl support



**FLIR**

Size: A3  
 Scale: 1:2  
 Drawing No: T128849  
 Sheet: 2(8)

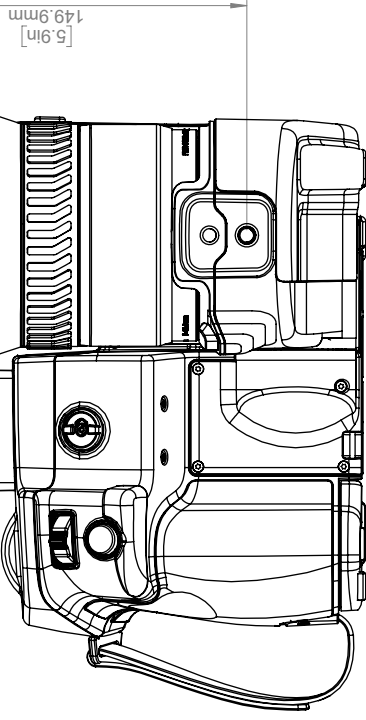
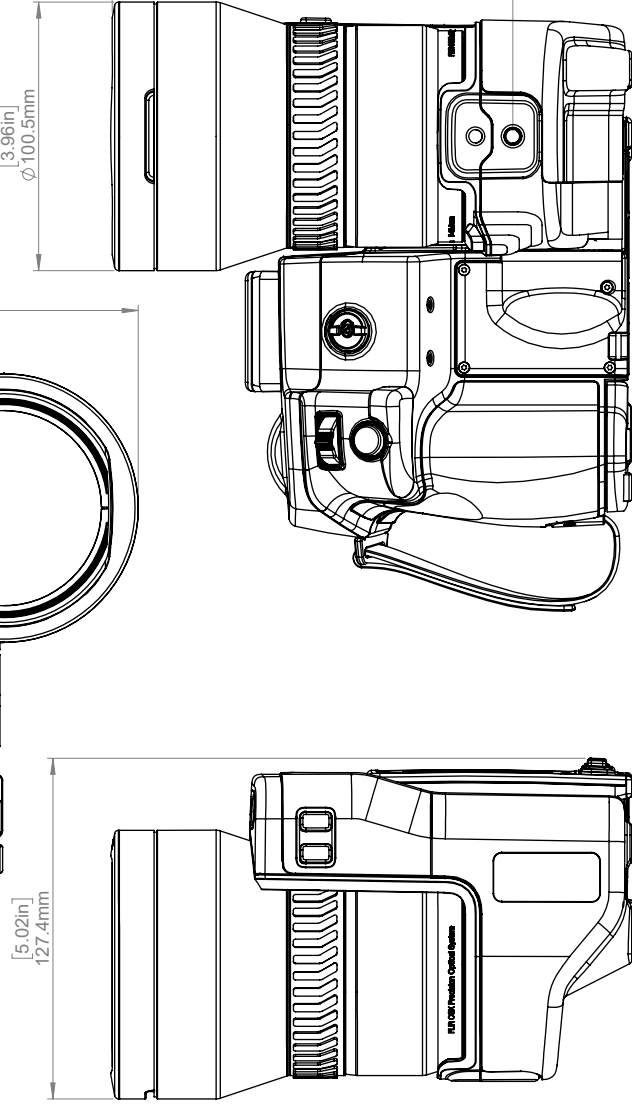
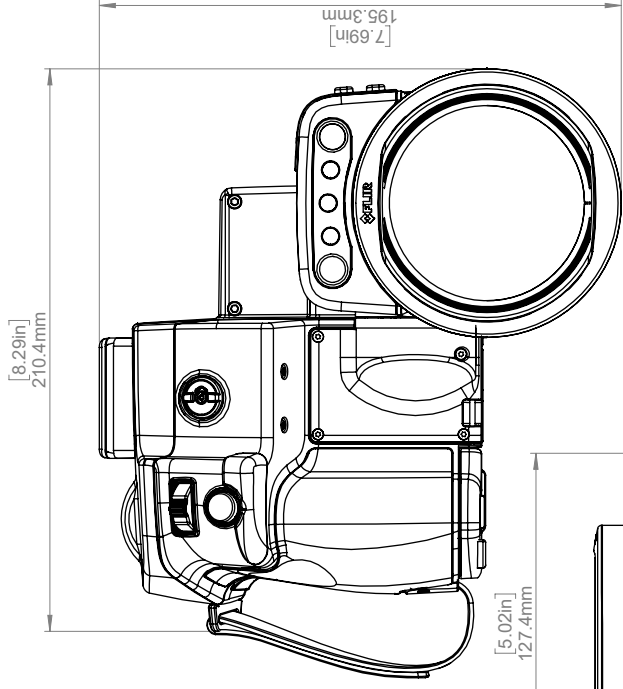
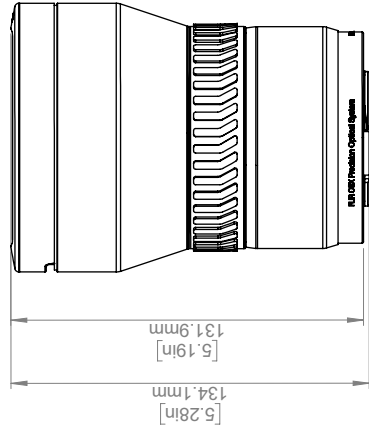
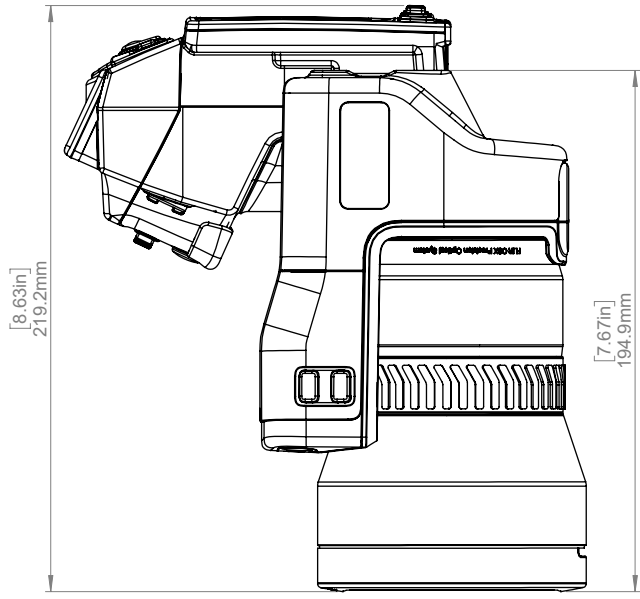
Modified: 2018-08-07  
 Denomination: R&D Thermography

Check: JOHE  
 Drawn by: R&D Thermography

Basic dimensions FLIR T10xx

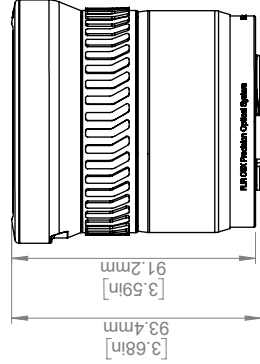
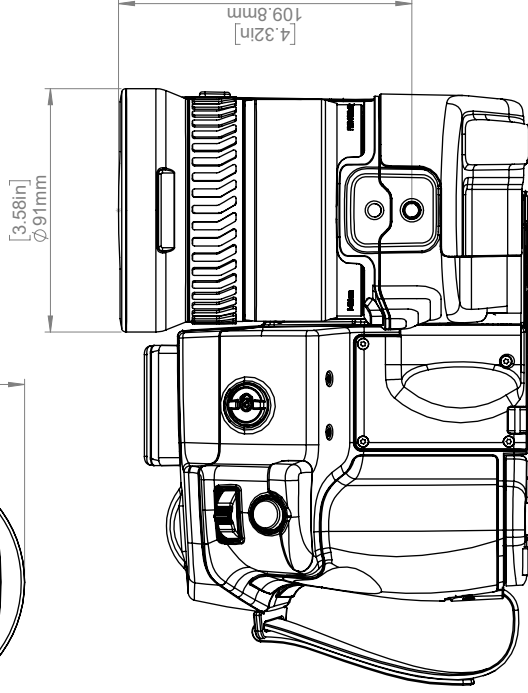
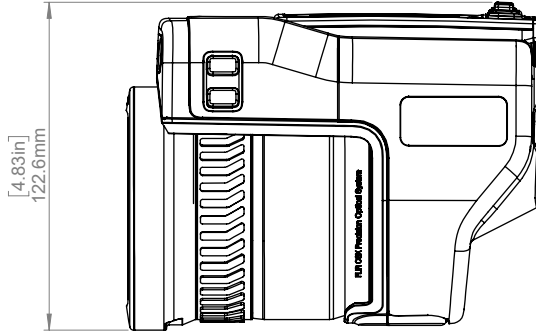
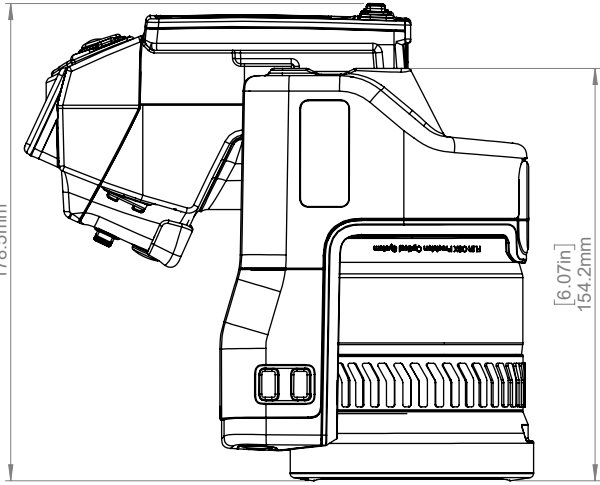
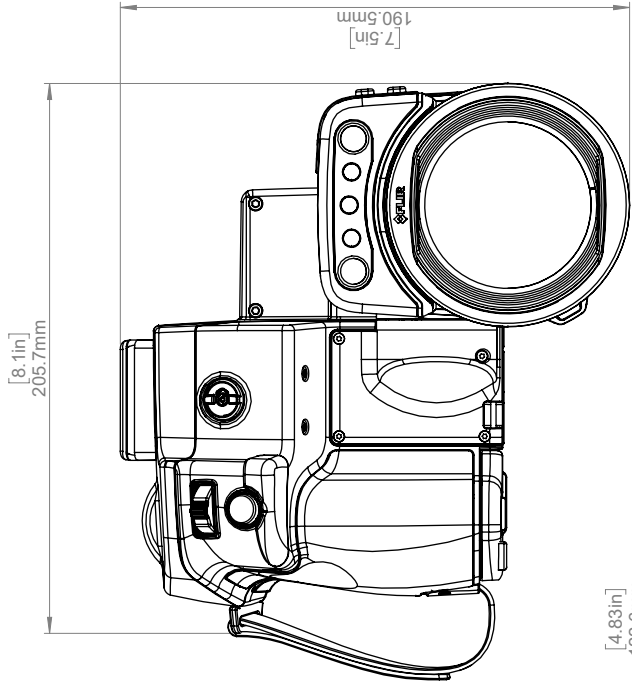
© 2012, FLIR Systems, Inc. All rights reserved worldwide. No part of this drawing may be reproduced, stored in a retrieval system, or transmitted in any form, or by any means, electronic, mechanical, photocopying, recording, or otherwise, without written permission from FLIR Systems, Inc. Specifications subject to change without further notice. Dimensional data is based on nominal values. Products may be subject to regional market considerations. License procedures may apply. Product may be subject to US Export Regulations. Please refer to exportquestions@flir.com with any questions. Division contrary to US law is prohibited.

# IR-LENS 12° (f=83,4mm)



Modified 2018-08-07	Check JOHE	Drawn by R&D Thermography	FLIR
Denomination <b>Basic dimensions FLIR T10xx</b>			Sheet 3(8)
Size A3			Size E
Drawing No. T128849			Scale 1:2

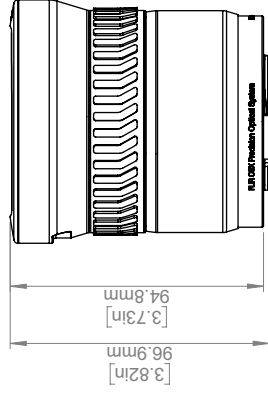
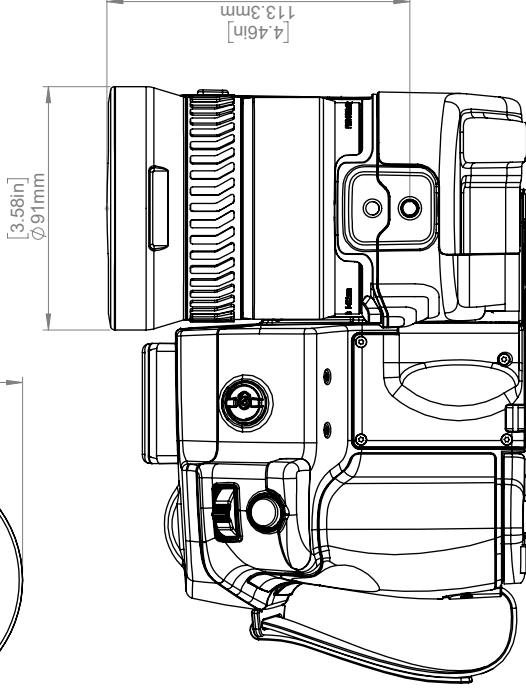
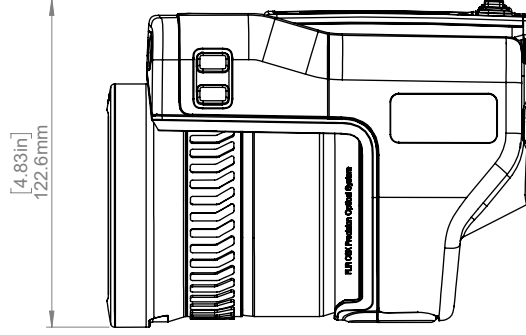
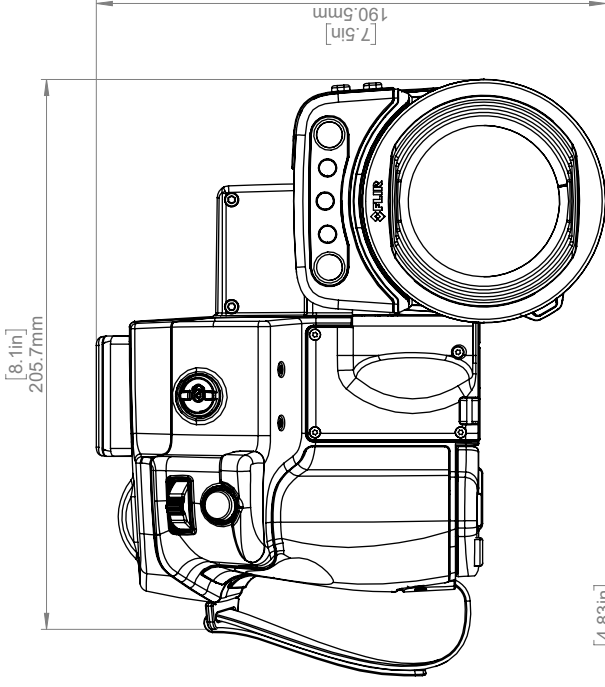
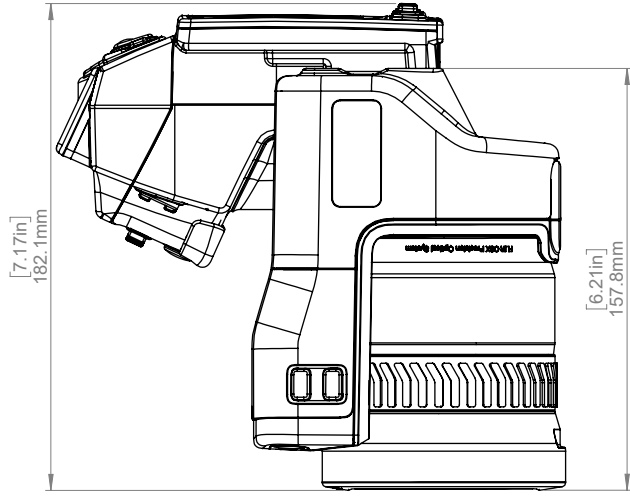
# IR-LENS 28° (f=36mm)



		Drawing No. <b>T128849</b>
Modified <b>2018-08-07</b>	Check <b>JOHE</b>	Drawn by <b>R&amp;D Thermography</b>
Denomination <b>Basic dimensions FLIR T10xx</b>		Size <b>A3</b>
		Scale <b>1:2</b>
		Sheet <b>4(8)</b>
		Size <b>E</b>

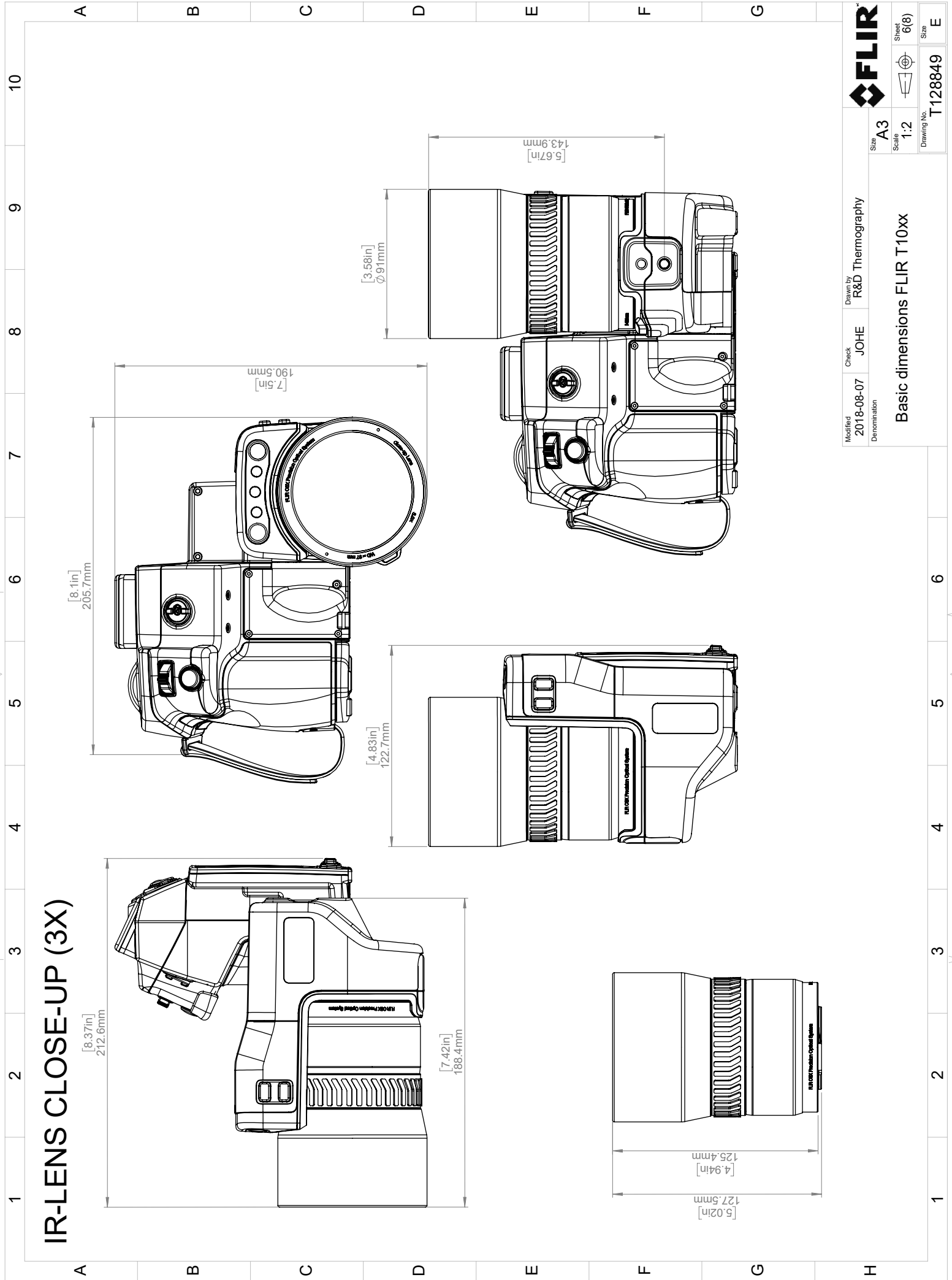
© 2012, FLIR Systems, Inc. All rights reserved worldwide. No part of this drawing may be reproduced, stored in a retrieval system, or transmitted in any form, or by any means, electronic, mechanical, photocopying, recording, or otherwise, without written permission from FLIR Systems, Inc. Specifications subject to change without further notice. Dimensional data is based on nominal values. License procedures may apply. Product may be subject to US Export Regulations. Please refer to exportquestions@flir.com with any questions. Division contrary to US law is prohibited.

# IR-LENS 45° (f=21,2mm)



		Sheet 5(8)	Size E
Modified 2018-08-07 Denomination	Check JOHE	Drawn by R&D Thermography	Drawing No. T128849
Size A3		Scale 1:2	Size E
Basic dimensions FLIR T10xx			

# IR-LENS CLOSE-UP (3X)



© 2012, FLIR Systems, Inc. All rights reserved worldwide. No part of this drawing may be reproduced, stored in a retrieval system, or transmitted in any form, or by any means, electronic, mechanical, photocopying, recording, or otherwise, without written permission from FLIR Systems, Inc. Specifications subject to change without further notice. Dimensional data is based on nominal values. Products may be subject to regional market considerations. License procedures may apply. Product may be subject to US Export Regulations. Please refer to exportquestions@flir.com with any questions. Diversion contrary to US law is prohibited.

Modified 2018-08-07	Check JOHE	Drawn by R&D Thermography	FLIR
Denomination Basic dimensions FLIR T10xx			Sheet 0(8)
Size A3			Size E
Scale 1:2			Drawing No. T128849



November 13, 2017 Täby, Sweden

AQ320228

**CE Declaration of Conformity – EU Declaration of Conformity**

Product: FLIR T10XX -series

Name and address of the manufacturer:

FLIR Systems AB  
PO Box 7376  
SE-187 15 Täby, Sweden

This declaration of conformity is issued under the sole responsibility of the manufacturer.  
The object of the declaration: FLIR T10XX -series (Product Model Name FLIR-T7250).  
The object of the declaration described above is in conformity with the relevant Union harmonisation legislation:

**Directives:**

Directive	2014/30/EU	Electromagnetic Compatibility
Directive	2014/35/EU	Low Voltage Directive
Directive	2012/19/EU	Waste electrical and electric equipment
Directive	2014/53/EU	Radio Equipment Directive (RED)
Directive	1999/519/EC	Limitation of exposure to electromagnetic fields (SAR)
Directive	2011/65/EU	RoHS

**Standards:**

Emission:	EN 61000-6-3:2007/A1:2011	Electromagnetic Compatibility Generic
	EN 301489-1:2011 v1.9.2	ERM – EMC for radio equipment
	EN 301489-17:2009 v2.2.1	ERM – EMC Wideband data
Immunity:	EN 61000-6-2:2005	Electromagnetic Compatibility Generic
	EN 301489-1:2011 v1.9.2	ERM – EMC for radio equipment
	EN 301489-17:2009 v2.2.1	ERM – EMC Wideband data
Laser:	EN 60825-1	Safety of laser products
Radio:	ETSI EN 300 328 v2.1.1	Harmonized EN covering essential requirements of the RED Directive
	EN 303 413 v1.1.0	Radio Spectrum Efficiency (gps)
SAR:	EN 50566:2013	Handheld and body mounted wireless
RoHS:	EN 50581:2012	Technical documentation
Safety:	IEC 60950-1:2005+A1:2009	Information technology equipment
	EN 60950-1:2006+A11:2009+A1:2010+AC:2011+A12:2011	

**FLIR Systems AB**  
Quality Assurance

Lea Dabiri  
Quality Manager